

> 116 VIENNA® ball valve, standard flow



SIZE	PRESSURE	CODE	PACKING
1/4" (DN 8)	50bar/725psi	0900014	12/192
3/8" (DN 10)	50bar/725psi	0900038	12/192
1/2" (DN 15)	30bar/435psi	1160012	15/120
3/4" (DN 20)	30bar/435psi	1160034	8/104
1" (DN 25)	30bar/435psi	1160100	8/64
1"1/4 (DN 32)	25bar/362.5psi	1160114	4/32
1"1/2 (DN 40)	25bar/362.5psi	1160112	4/32
2" (DN 50)	25bar/362.5psi	1160200	2/16
2"1/2 (DN 65)	18bar/261psi	1160212	1/9
3" (DN 80)	14bar/203psi	1160300	1/5
4" (DN 100)	12bar/174psi	1160400	1/4

> CERTIFICATIONS



> TECHNICAL SPECIFICATIONS:

Female/female threads.

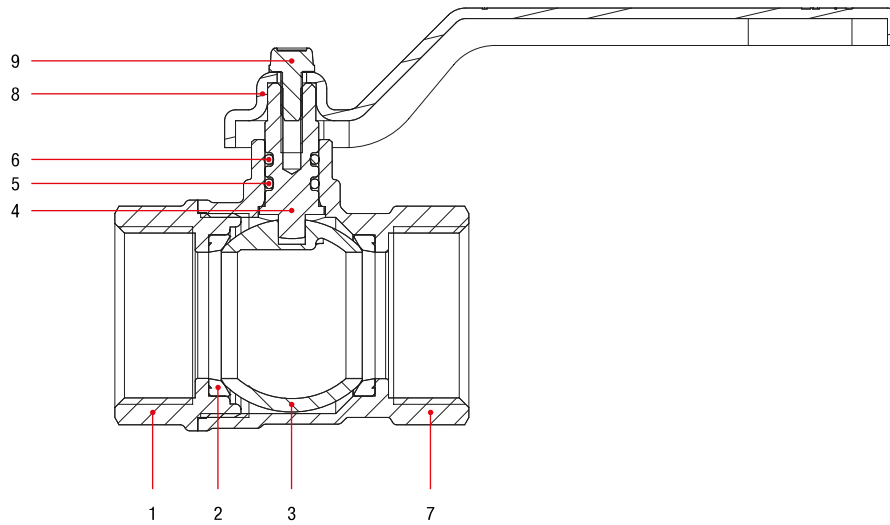
Lever handle in steel (aluminium in the sizes 2"1/2, 3" and 4").

Body in nickel-plated brass.

Minimum and maximum working temperatures: -20°C, 150°C in absence of steam.

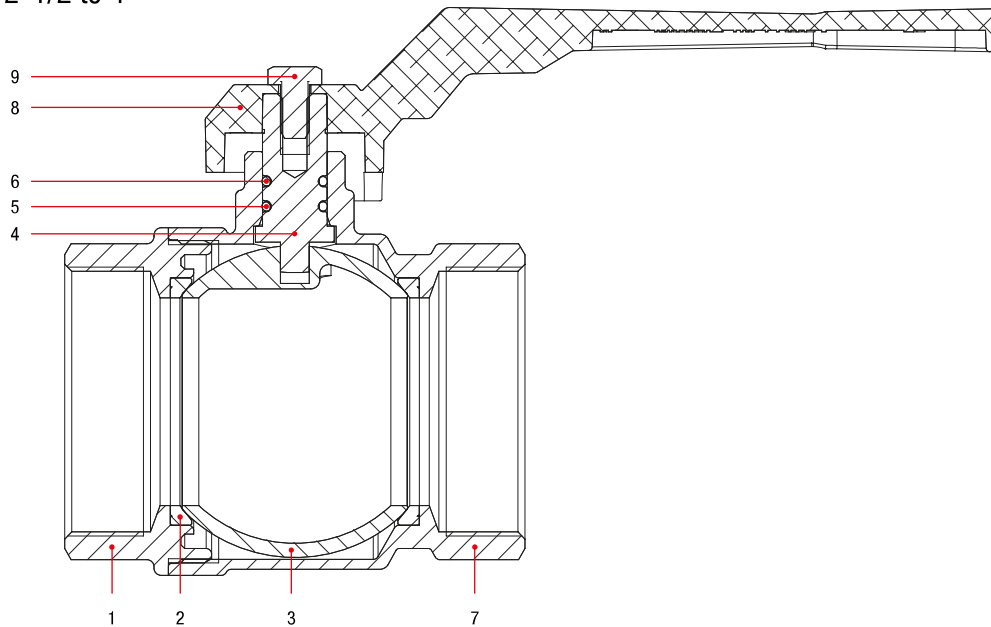
Threads ISO228 (equivalent to DIN EN ISO 228 and BS EN ISO 228).

> MATERIALS from 1/4" to 2"



POS.	DESCRIPTION	N.	MATERIAL
1	Female end adapter	1	Nickel-plated brass CW617N
2	Seat	2	PTFE
3	Ball	1	Chrome-plated brass CW617N
4	Stem	1	Brass CW614N
5	O-ring	1	NBR
6	O-ring	1	Viton®
7	Body	1	Nickel-plated brass CW617N
8	Lever handle	1	Varnished steel P04
9	Screw	1	Zinc-plated C4C

> MATERIALS from 2" 1/2 to 4"



POS.	DESCRIPTION	N.	MATERIAL
1	Female end adapter	1	Nickel-plated brass CW617N
2	Seat	2	PTFE
3	Ball	1	Chrome-plated brass CW617N
4	Stem	1	Brass CW614N
5	O-ring	1	NBR
6	O-ring	1	Viton®
7	Body	1	Nickel-plated brass CW617N
8	Lever handle	1	Varnished aluminium
9	Screw	1	Zinc-plated CB4 FF (C34)